

Clearances:

"A" = Horizontal distance to adjacent surface
100mm if smooth, 325mm if irregular

Anchors
Horizontal & Vertical 2 minimum (see installation information)
for further details of substrate requirements and type

Platform Floor Finish
Standard - Aluminium (Chequer Plate)
Special - Altro walking 20

Electrical Supply (Main switch)
1ph L, N, PE, 3 x 2,5mm² 16A

Technical Data

Rated capacity: 300kg / 2 Persons

Speed: 0,08m/s

Drive: 2,5 kw Electrical Motor / Belt drive

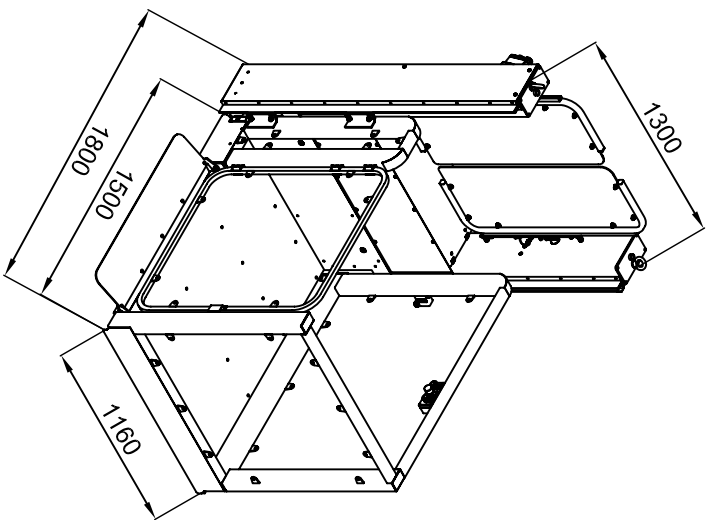
Electrical Connection: Single phase, 3 x 1,5mm²

(By use of heater the cable area should be increased to 2,5mm²)

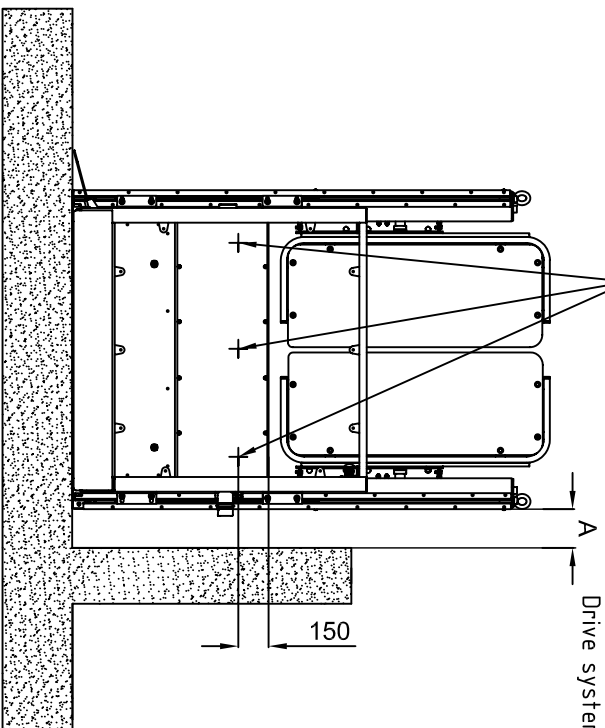
Control Voltage: 24, Volts

Soft Start / Stop by frequency inverter

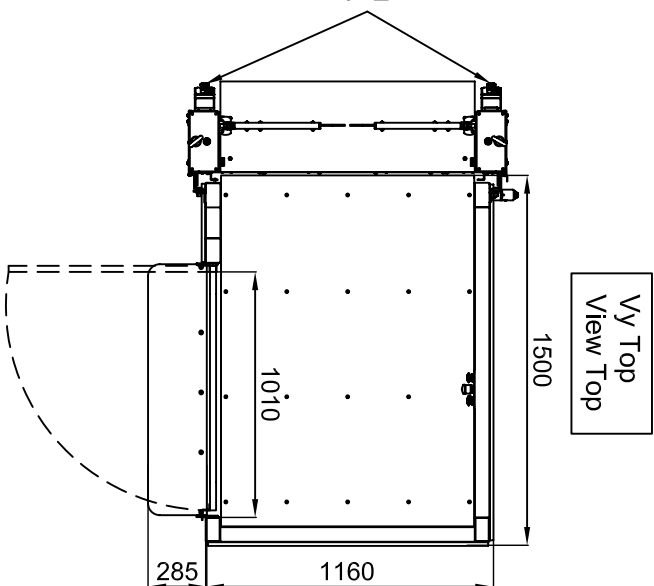
Drive system: Screw / nut, dubble



Typical horizontal fixing points.

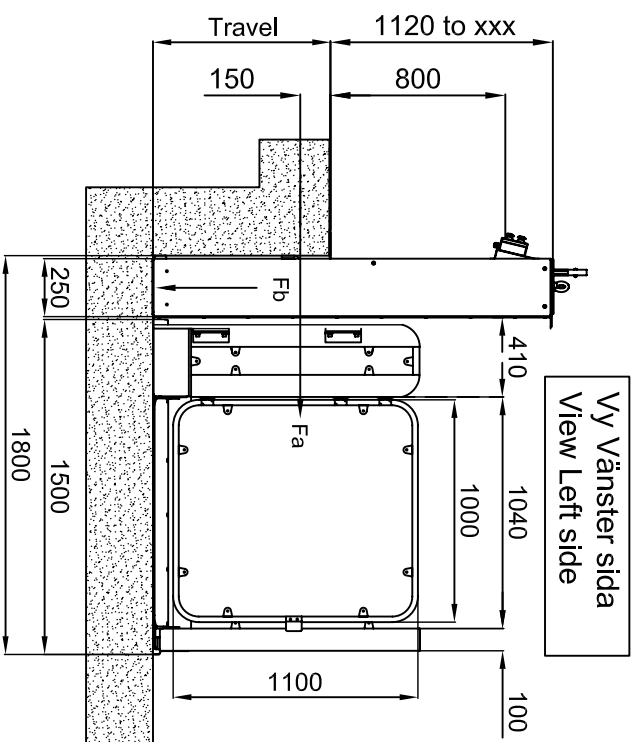


Alternative Landing Control Stations



HORIZONTAL FORCES	
Fixing height mm	Total Anchor Force Fa, kN
400	21.5
600	17.0
800	14.5
1000	11.0
1200	8.5
1400	7.5
1600	6.5
1800	5.5
2000	4.5
2200	4.0
2400	3.5
2600	3.25
2800	3.0

Fb = Vertical force of 10kN, spread over area of 1300mm x 250mm.



Antl	Varunnr	Namn	Titel	Material	Ref.
------	---------	------	-------	----------	------

MPPR
S-23291 ARLÖV
SWEDEN
TEL. +46 40437075
FAX. +46 40432944
http://www.mprlift.com

MPR STRATEGOS
SIDE DOOR

Datum: 09.11.04
Ritn nr:

Revision: B